



Features & Benefits

- Easy to install LED luminaire, designed for exterior surfaces
- Fixture that recesses 27mm into a 40mm diameter hole
- Plug and play system – quick and reliable IP67 connections
- Powered by a 12V DC, short circuit protected LED driver
- Sustainable SMD-LED that consumes only 0.3W of energy
- Cool to the touch; fixtures will not get hotter than 34°C
- UV-resistant lens and marine grade stainless steel (316)
- “Walk/drive-over” construction, for loads up to 2850N/285kg
- Tested conditions, ranging from -35°C to +65°C
- Available in: cool white, warm white, blue and amber

Applications


- Tile, stone, pavers & concrete
- Decking & deck tiles
- Boat docks & piers
- Sidewalks & driveways

Outdoor Pro

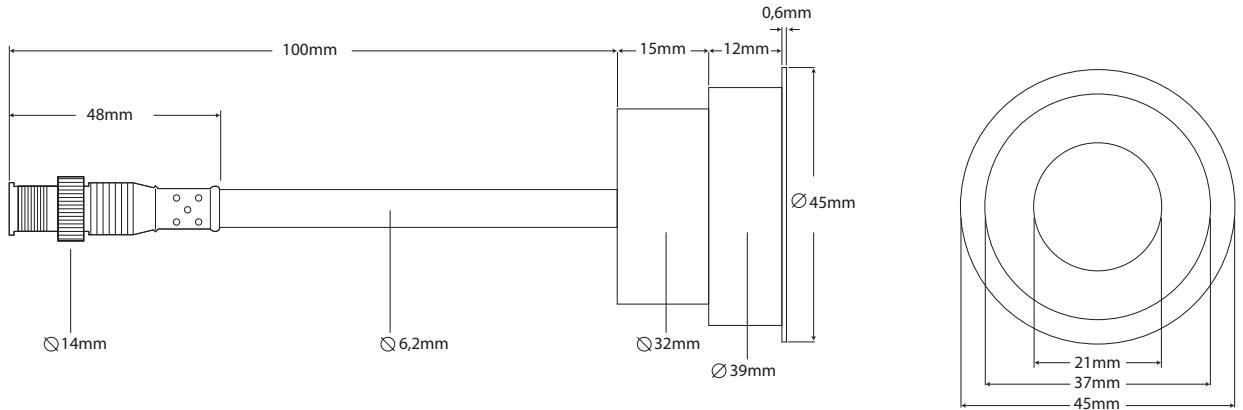
Eyeleds® Outdoor Pro is an innovative range of plug and play outdoor surface lighting, driven by energy efficient and long lasting LED technology. The range consists of architectural, recessed walk-over landscape lighting, and is available in the round lens style. Eyeleds Outdoor® is used as accent, orientation, marker, guide or night-lights in outdoor landscape designs, decking, pavers, tile, boat docks, piers, concrete sidewalks and driveways.

Eyeleds® Outdoor Pro, low profile LED light fixtures, install flush into most exterior surfaces. The fitting recesses into a 40mm diameter hole, drilled through the surface of the material. The fixtures are made of top quality materials and components that are resistant to corrosion and UV-radiation. The solid construction is engineered to withstand heavy use: walking or even driving over the lights is not a problem.

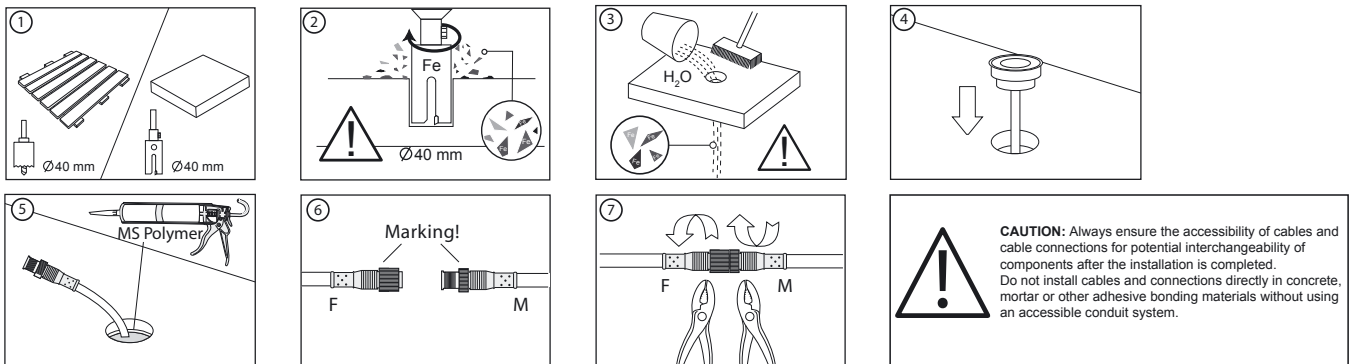
Specifications

Voltage	12V DC
Power Consumption	0,3W/25mA
Rated Life	up to 100.000 Hours
Materials	
Lens	UV Res. Polycarbonate
Housing	UV Res. Polycarbonate
Trim Ring	Stainless Steel 316
Cable	PUR
Cable	2 x 0,75 mm ²
Surface Temperature	Max. 34°C
Operating Temperature	-35°C to +65°C
Drive/Walkover Pressure	Max. 2850N/285kg
Warranty	3 Years Limited
Standards	
Environment	IP67 Outdoor Rated

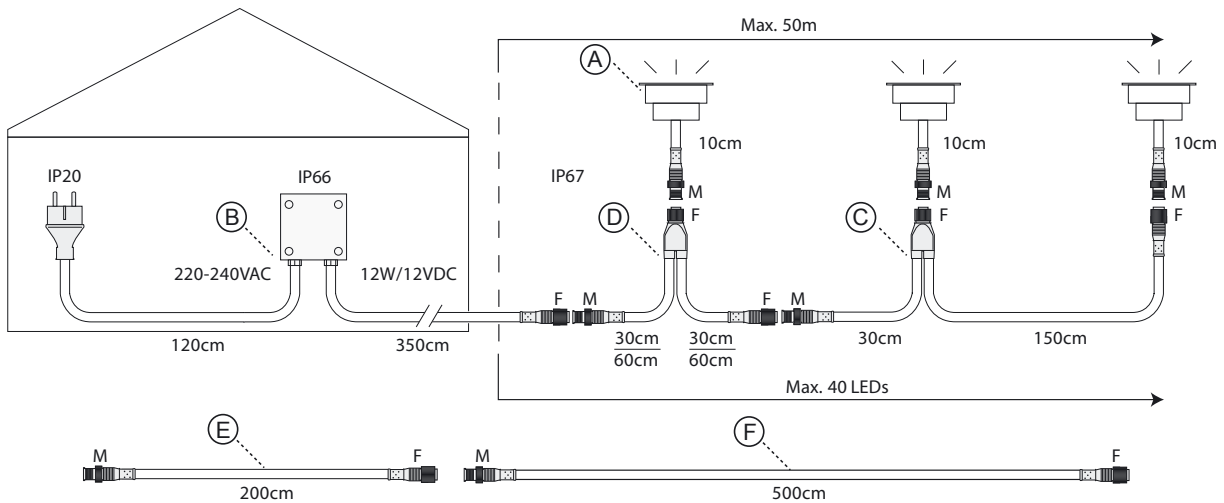
Dimensions



Installation



Example Connection Diagram



Ordering Information

Description	Finish / LED Colour	Ordering #	Item Code	Accessory	Ordering #	Item Code
LED unit (A)	Stainless Steel / Warm White LED	EOP-RWW-01	176.019.0U.40809	Power Supply EU 12V / 12W (2)	OPA-11000	AZ.10.00.01U
LED unit (A)	Stainless Steel / Cool White LED	EOP-RCW-01	176.019.0U.03509	Power Supply UK 12V / 12W (2)	OPA-11003	AZ.86.00.01U
LED unit (A)	Stainless Steel / Blue LED	EOP-RBL-01	176.019.0U.21609	Power Supply CH 12V / 12W (2)	OPA-11002	AZ.85.00.01U
LED unit (A)	Stainless Steel / Amber LED	EOP-RAM-01	176.019.0U.04109	T-Splitter 30cm / 150cm	OPA-20003	AZ.11.00.01U
				T-Splitter 30cm / 30cm	OPA-20001	AZ.12.00.01U
				T-Splitter 60cm / 60cm	OPA-20002	AZ.22.00.01U
				Extension Cable 200cm	OPA-30001	AZ.13.00.01U
				Extension Cable 500cm	OPA-30002	AZ.14.00.01U