



Features & Benefits

- Easy to install LED luminaire, designed for exterior surfaces
- Fixture recesses 27mm into a 40mm diameter hole
- IP67 junction box included with each LED unit
- Powered by a 12V DC, short circuit protected LED driver
- Sustainable SMD-LED that consumes only 0.3W of energy
- Cool to the touch; fixtures will not get hotter than 34°C
- UV-resistant lens and marine grade stainless steel (316)
- "Walk/drive-over" construction, for loads up to 2850N/285kg
- Tested for conditions, ranging from -35°C to +65°C
- Available in cool white, warm white, blue & amber

Applications

- Tile, stone, pavers & concrete
- Decking & deck tiles
- Boat docks & piers
- Sidewalks & driveways

Outdoor Basic

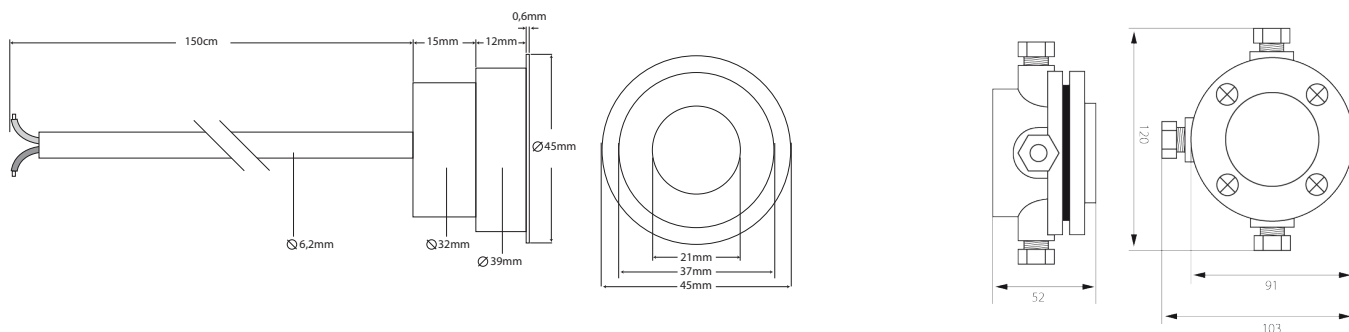
Eyeleds® Outdoor Basic is an innovative range of outdoor surface lighting, driven by energy efficient and long lasting LED technology. The range consists of architectural, recessed walk-over landscape lighting, and is available in the round lens style. Eyeleds® Outdoor is used as accent, orientation, marker, guide or night-lights in outdoor landscape designs, decking, pavers, tile, boat docks, piers, concrete sidewalks and driveways.

Eyeleds® Outdoor Basic, low profile LED light fixtures, install flush into most exterior surfaces. The fitting recesses into a 40mm diameter hole, drilled through the surface of the material. The fixtures are made of top quality materials and components that are resistant to corrosion and UV-radiation. The solid construction is engineered to withstand heavy use: walking or even driving over the lights is not a problem.

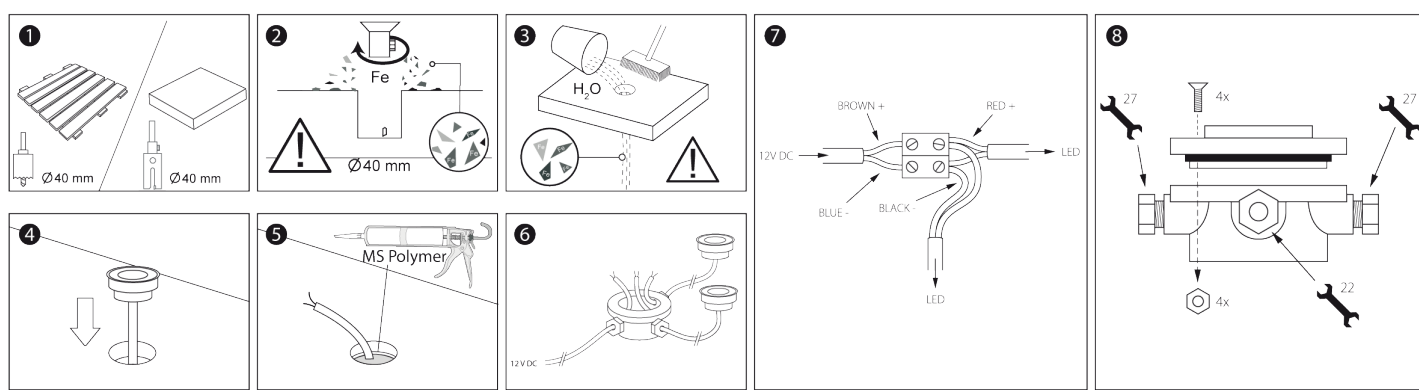
Specifications

Voltage	12V DC
Power Consumption	0,3W/25mA
Rated Life	up to 100.000 Hours
Color Temperature	
Cool White	5500K
Warm White	2700K
Cable	2 x 0,75 mm ²
Surface Temperature	Max. 34°C
Operating Temperature	-35°C to +65°C
Drive/Walkover Pressure	Max. 2850N/285kg
Warranty	3 Years Limited
Standards	CE
Environment	IP67 Outdoor Rated

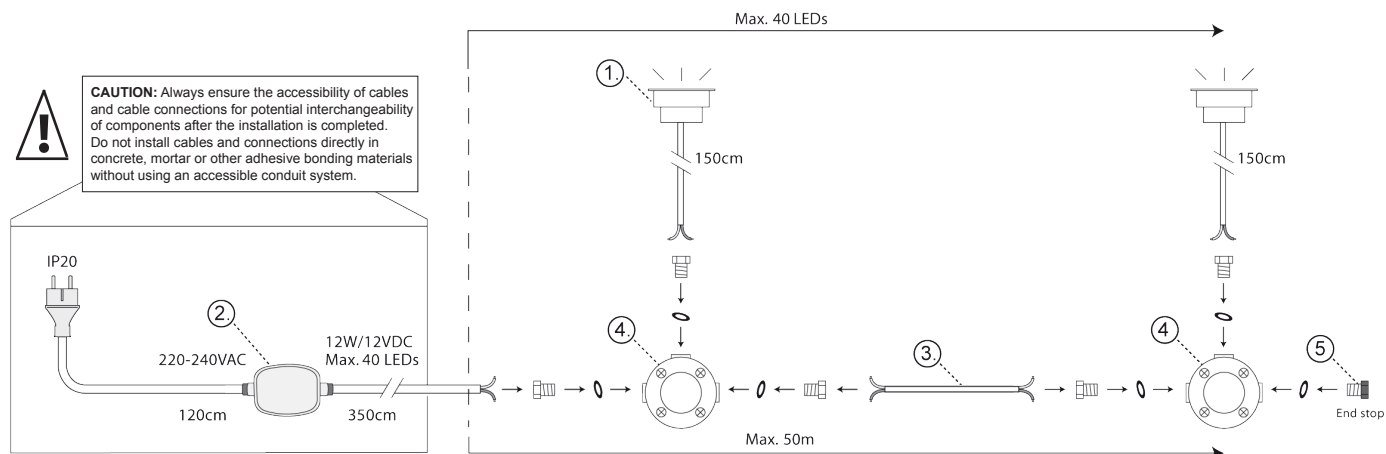
Dimensions



Installation



Example Connection Diagram



Ordering Information

Description	Finish / LED Colour	Ordering #	Item Code	Accessory	Ordering #	Item Code
LED Unit + Conn. Box (1) + (4)	Stainless Steel / Warm White LED	EOB-RWW-01	175.019.0U.40809	Power Supply EU 12V / 12W (2)	OBA-11000	AZ.16.00.05U
LED Unit + Conn. Box (1) + (4)	Stainless Steel / Cool White LED	EOB-RCW-01	175.019.0U.03509	Power Supply UK 12V / 12W (2)	OBA-11003	AZ.88.00.05U
LED Unit + Conn. Box (1) + (4)	Stainless Steel / Blue LED	EOB-RBL-01	175.019.0U.21609	Power Supply CH 12V / 12W (2)	OBA-11002	AZ.87.00.05U
LED Unit + Conn. Box (1) + (4)	Stainless Steel / Amber LED	EOB-RAM-01	175.019.0U.04109	Connection Cable -10m (3)	OBA-30000	AZ.20.00.05U
				End Stop (5)	included	n.a.